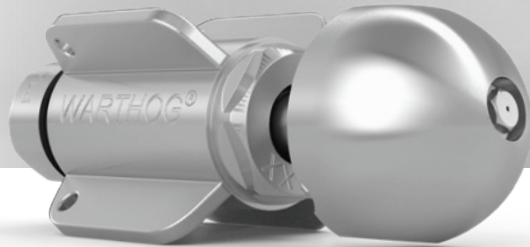
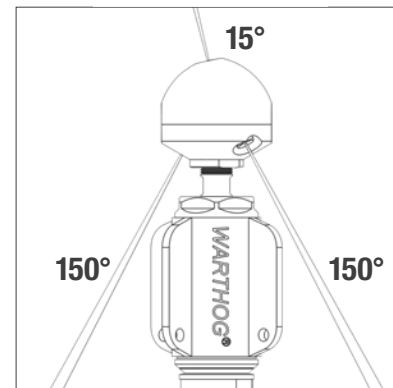


The perfect tool for servicing mid-sized sewer lines

Multiple head options for customizing to different pressures and flows



JET ANGLES



WH-1/2 & WH-3/4

PIPE SIZE: 6-18" LINES (152-457 MM)

INLET: 1/2" NPT OR BSPP, 3/4" NPT OR BSPP (R24 HEAD ONLY)

BENEFITS:

- Controlled rotation allows jets to penetrate deeper through deposits to clean and clear pipes
- Descaling head available

MODEL/ INLET	PRESSURE RANGE		FLOW RANGE		HEAD	NOZZLE PORTS	JET TYPE	PORT PLUG	WEIGHTS		DIAMETER x LENGTH	
	PSI	BAR	GPM	LPM					LB	KG	IN.	MM
WH-1/2	1200-8K	83-552	14-20	53-76	WH 040-R6	3 X 1/8 NPT	AP2	GP 025-P2SS	4.7	2.1	3.4 X 7.5	86 X 191
			10-14	38-53	WH 040-R8							
WH-1/2-DS DESCALER	1200-8K	83-552	10-14	38-53	WH 040-DS-R8	5 X 1/8 NPT	AP2	GP 025-P2SS	4.7	2.1	3.4 X 7.5	86 X 191
WH-3/4	1200-8K	83-552	24-50	91-189	WH 040-R3	3 X 1/8 NPT	AP2	GP 025-P2SS	4.7	2.1	3.4 X 7.5	86 X 191
			16-24	61-91	WH 040-R45							
			12-16	45-61	WH 040-R6							
			10-12	38-45	WH 040-R8							
WH-3/4-DS DESCALER	1200-8K	83-552	24-50	91-189	WH 040-DS-R3	5 X 1/8 NPT	AP2	GP 025-P2SS	4.7	2.1	3.4 X 7.5	86 X 191
			16-24	61-91	WH 040-DS-R45							
			10-12	38-45	WH 040-DS-R8							